

NETWORK MANAGEMENT CARDS

While PowerShield UPSs do their job of holding up critical electronic equipment, behind the scenes, PowerShield proprietary software and management cards are there to manage and record critical power events, so that managers can be aware and informed of problems in real time. The Communications cards and devices, together with the software solutions allow for automatic graceful shutdown of programs and devices in the event power outages last longer than their nominated time.

PSEMD

The PowerShield Environmental Monitoring Device (PSEMD) is a PSSNMPV4 accessory suited for monitoring temperature and humidity. Email alerts and or system shutdown can be initiated if the user defined thresholds are exceeded. It offers two additional dry contact inputs for sensors such as smoke detectors and tamper switches.

PSEMD



RELAY CARD

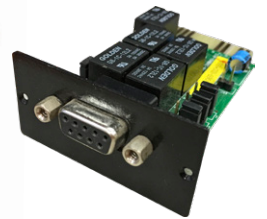
PSAS400T (Terminal Strip) or PSAS400D (D-type connector)

The Relay Card (PSAS400) provides VFC (Volt Free Contact) relays that change state upon UPS events. This type of card is often used when current loop communications are required for devices such as BMS (Building Management Systems), Access Control Alarm Panels or Industrial PLCs. User selectable normally open (default) or normally closed contacts.

PSAS400T



PSAS400D



MODBUS CARD

The PowerShield Modbus Card (PSMbus) facilitates UPS communication with industrial and building management systems using the Modbus RTU Protocol. PSMbus card provides real time monitoring and control of multiple UPS's via the RS485 communications port.

PSMbus



EXTERNAL COMMS BOX

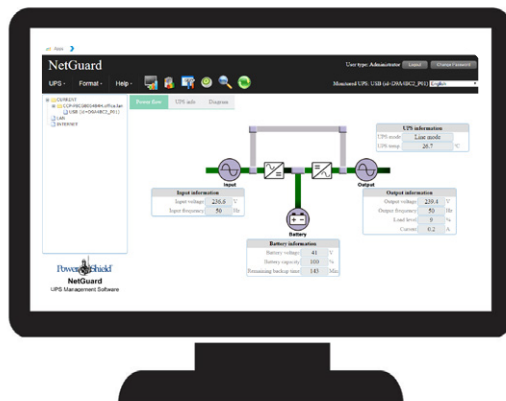
The PowerShield external Comms Box (PSECB) allows two comms cards to be operational, whilst using the UPS intelligent slot and PSECB over UPS serial port simultaneously. Includes a 240Vac / 12Vdc power pack.

PSECB



POWER SHIELD SOFTWARE - NETGUARD®

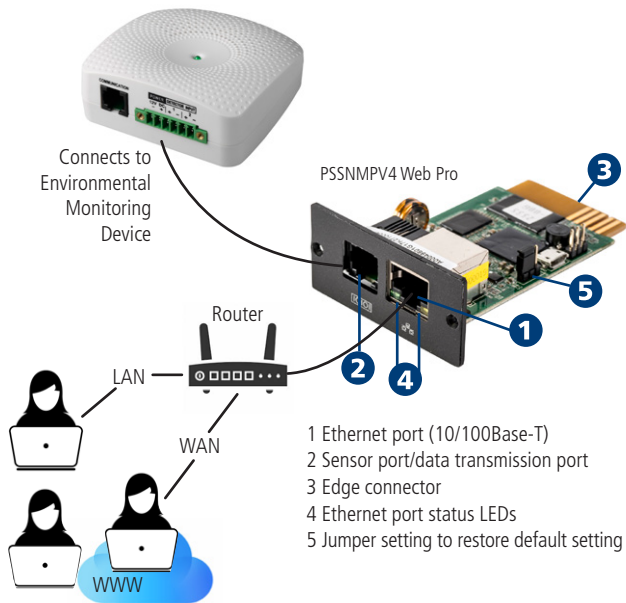
NetGuard® is a sophisticated UPS management software application which is perfect for the SOHO user, right up to larger enterprises. NetGuard® can monitor and manage a UPS over the USB interface or serial Communications port. NetGuard® prevents data loss by safely shutting down computer systems during a prolonged outage. It also stores event history and can perform scheduled shutdowns of the UPS. NetGuard® supports Windows, Linux and Mac.



AUSTRALIAN DESIGNED
POWER PROTECTION
SOLUTIONS



SNMP CARD

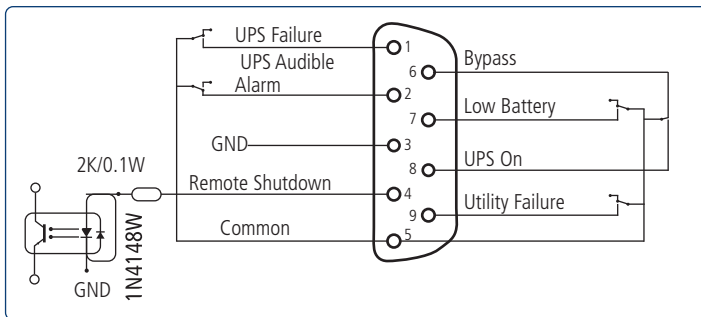


- Monitoring and flexible configuration settings accessed via Web Browser.
- PSSNMPv4 MIB file freely available for third party SCADA monitoring systems.
- Simultaneously monitor and manage multiple SNMP cards with PowerShield SNMP Multi View
- Automatically detects and exchange 10M/100M Fast Ethernet.
- Supports DHCP server assigned IP address or static IP address settings
- Supports wake-on-LAN function.
- Supported protocols: TCP/IP, UDP, SNMP V1/V2C/V3, SMTP, SNT, HTTP, HTTPS, SSL, SSH, IPV4/IPV6, DHCP, AES-128 CBC data encryption.
- Operating systems are shut down by PSSNMPv4 with shutdown Wizard, or by PSSNMPv4 alone in SSH Client supported Operating Systems.
- Event notifications via email or Trap.
- 128MB flash memory with 32MB data and 32MB event logs. More than 200,000 threads each, including UPS warnings, faults and EMD warnings, operation data logs from web users or SNMP MultiView users. All data stored safely without loss even when power failure occurs.
- Supports daily reports for event log and data log.
- Scheduled UPS on/off and battery test.
- Supports EMD monitoring of temperature and humidity.
- Equipped with real-time clock to record log with time and date and will continue running up to 7 days without power connected.
- MODBUS TCP Server.

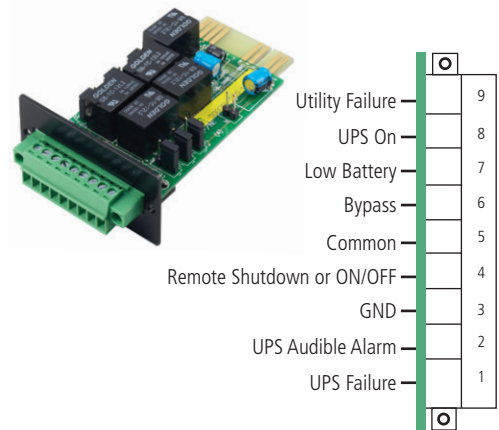
Supports Supervisory Control & Data Acquisition (SCADA) monitoring systems

RELAY CARD

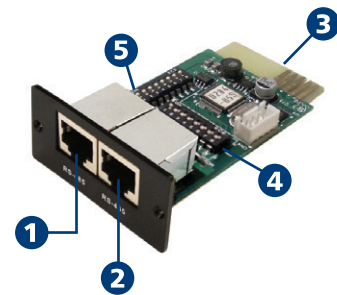
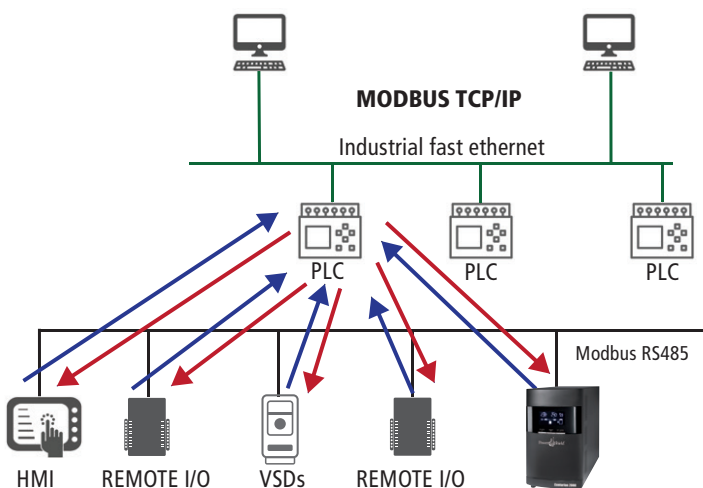
Internal Circuit of DB-9 Port



RS-232 Port



9-Pin Port



- 1 RS-485 port
- 2 RS-485/RS-232 port
- 3 Edge connector
- 4 Address switch
- 5 Communication setting